

CITROËN SM



24K001

ASSEMBLY INSTRUCTION

USCP

ukrainian scale cars production

Factory Citroen color codes for SM

Color Code	Color Name	In English
AC525	Vert des tropiques	Green
AC318	Sable métallisé	Gold
AC319	Feuille dorée	Lemon yellow
AC424	Rouge de Rio	Red
AC088	Blanc Meije	White
AC632	Bleu Platine	Platinum Blue
AC095	Gris nacré	Grey
AC200	Noir	Black
AC427	Brun scarabée	Brown
AC527	Vert argenté	Green
AC426	Rouge de Grenade	Maroon
AC616	Bleu d'Orient	Oriental Blue
AC637	Bleu de Bregançon	Blue
AC326	Or de Simiane	Gold
AC085	Beige Tholonet	Beige
AC082	Gris Largentière	Grey
AC640	Bleu Delta métallisé	Metallic Blue
AC430	Brun Roquebrune	Orange-Brown

Manufactured percent by color

Color	1971	1972	1973	1974
Vert des tropiques	16 %	9 %	-	-
Sable métallisé	20 %	18 %	-	-
Feuille dorée	21 %	-	-	-
Rouge de Rio	4 %	-	-	-
Blanc Meije	13 %	14 %	12 %	7 %
Bleu Platine	11 %	-	-	-
Gris nacré	14 %	15 %	13 %	-
Noir	1 %	1 %	1 %	1 %
Brun scarabée	-	16 %	19 %	16 %
Vert argenté	-	18 %	8 %	7 %
Rouge de Grenade	-	4 %	-	-
Bleu d'Orient	-	4 %	3 %	-
Bleu de Bregançon	-	-	10 %	-
Or de Simiane	-	-	16 %	13 %
Beige Tholonet	-	-	20 %	10 %
Gris Largentière	-	-	-	19 %
Bleu Delta métallisé	-	-	-	12 %
Brun Roquebrune	-	-	-	15 %

Used Paints

A – Body color

B – Semi gloss black

C – Aluminum

D – Steel

E – Titanium gold

F – Green

G – Chrome silver

H – Matt beige

I – Semi gloss brown

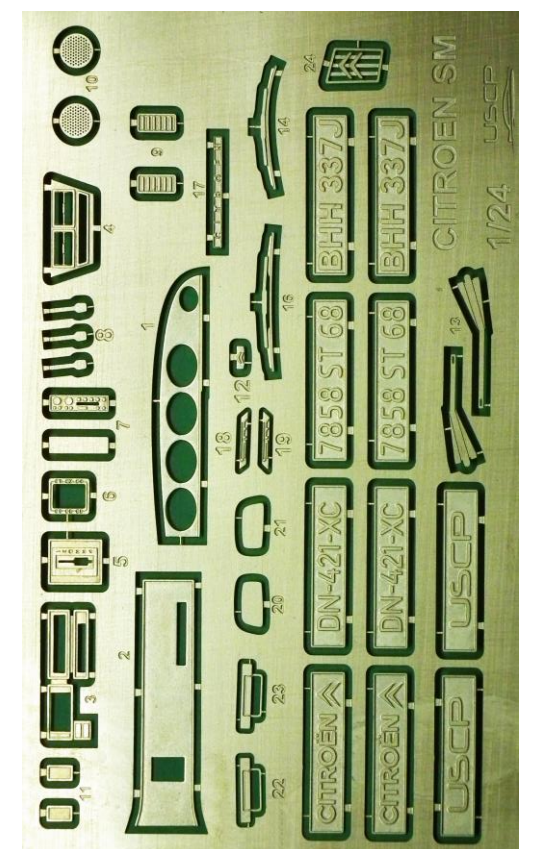
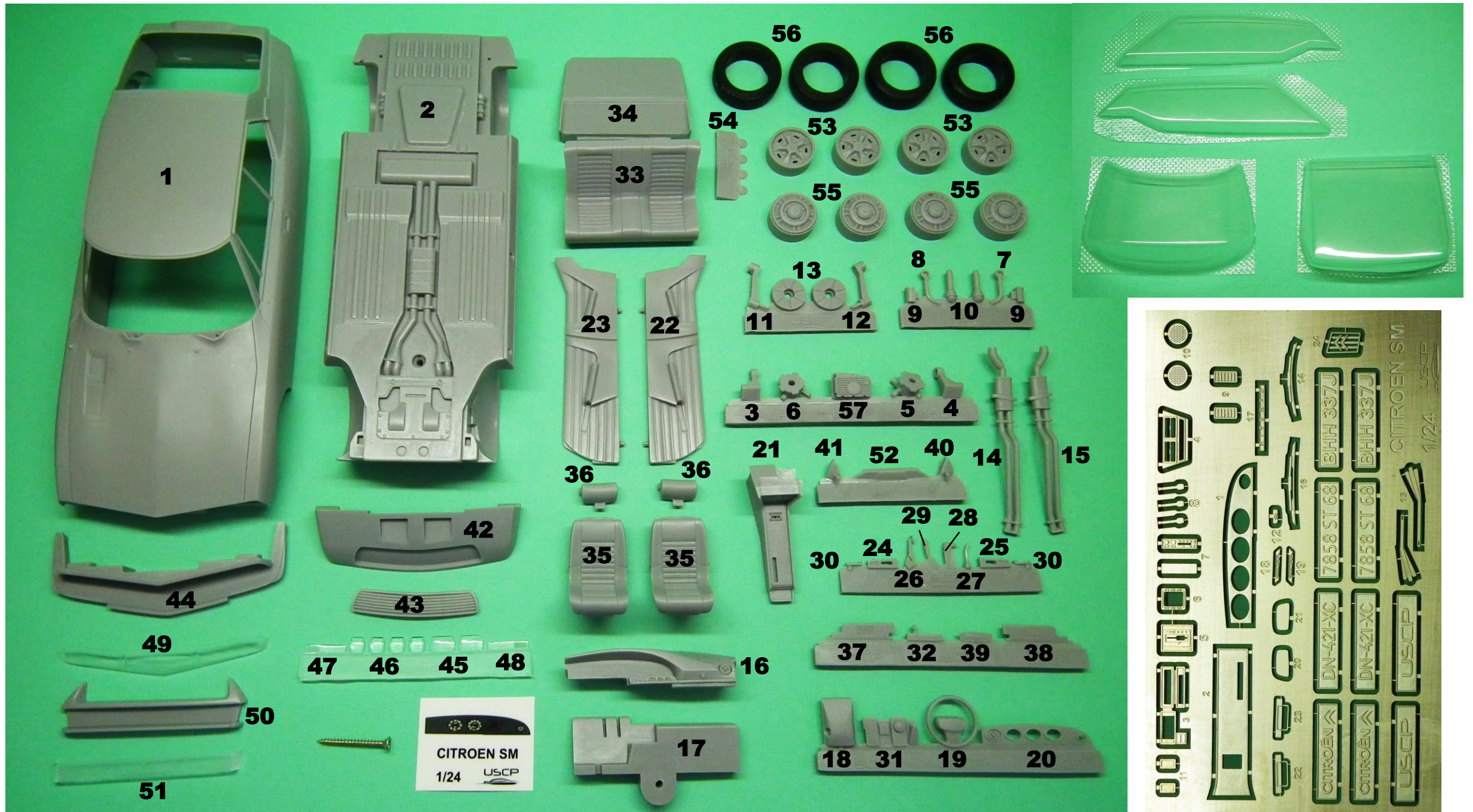
J – Matt black

K – Semi gloss white

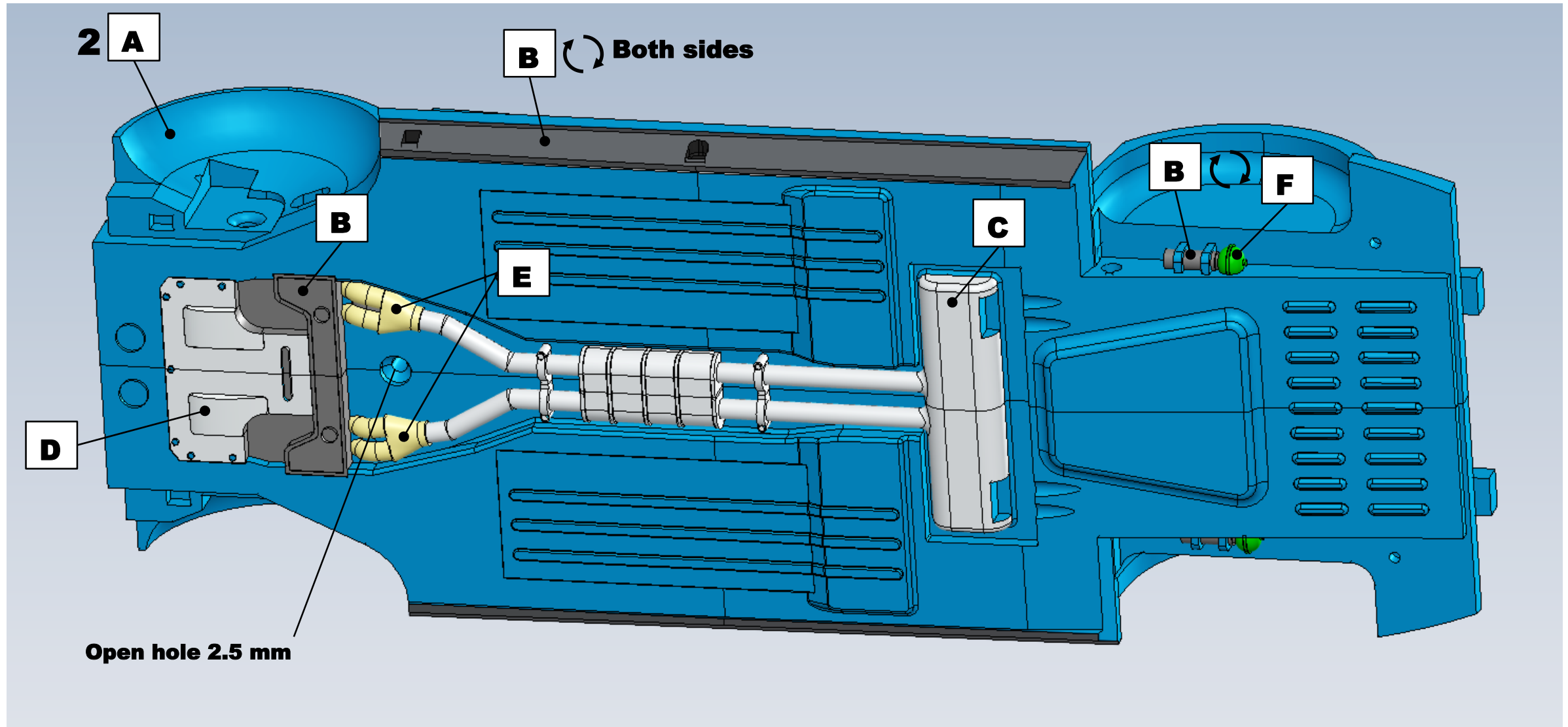
L – Clear red

M – Clear Orange

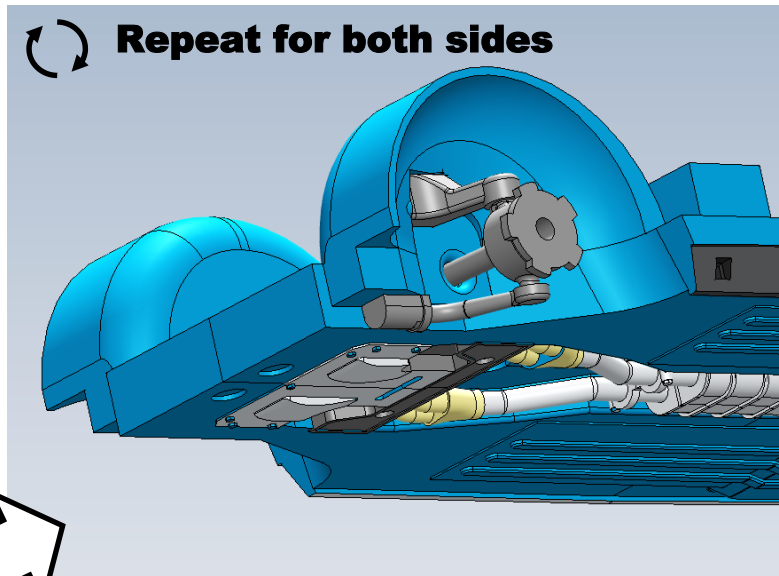
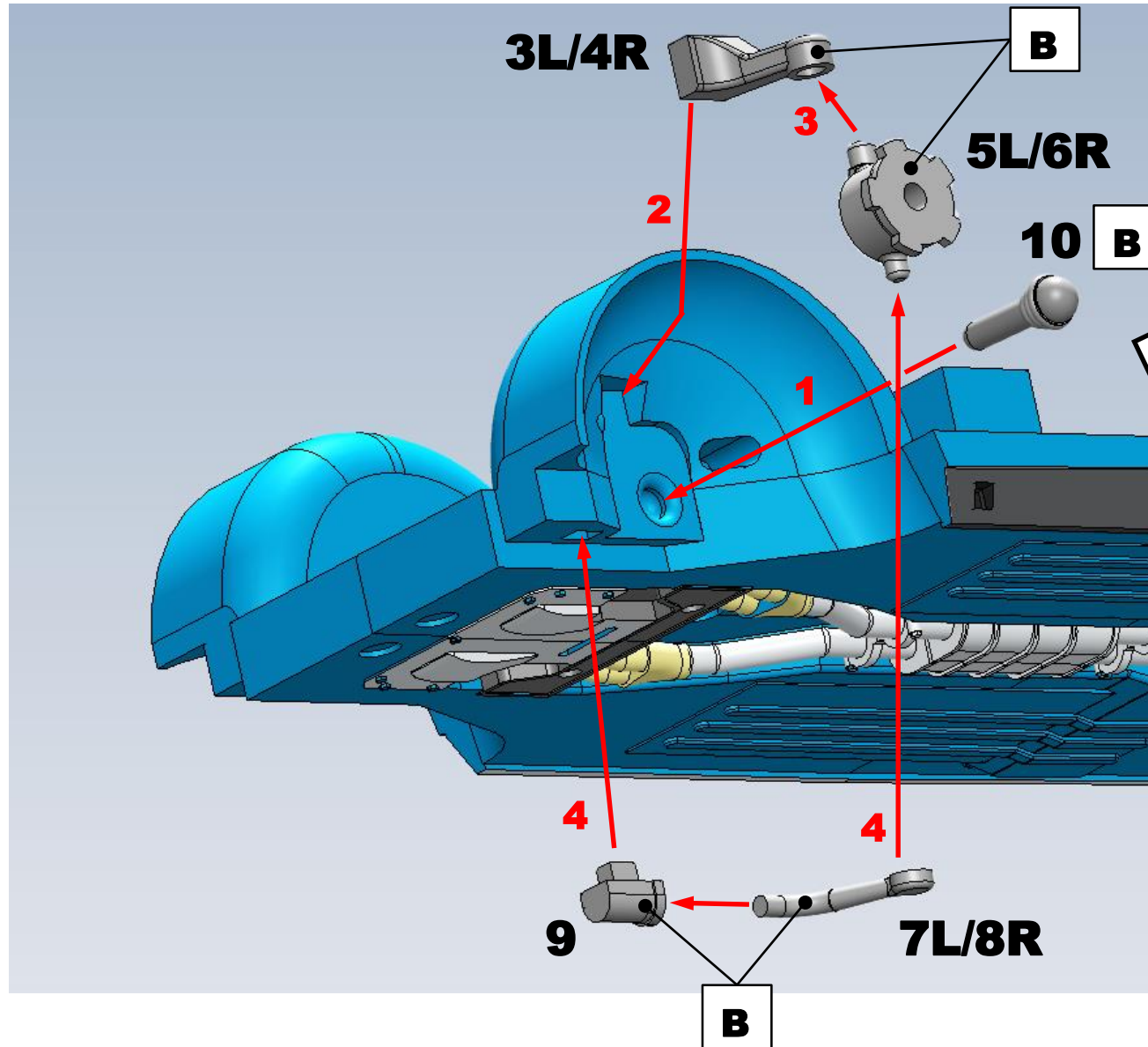
Parts



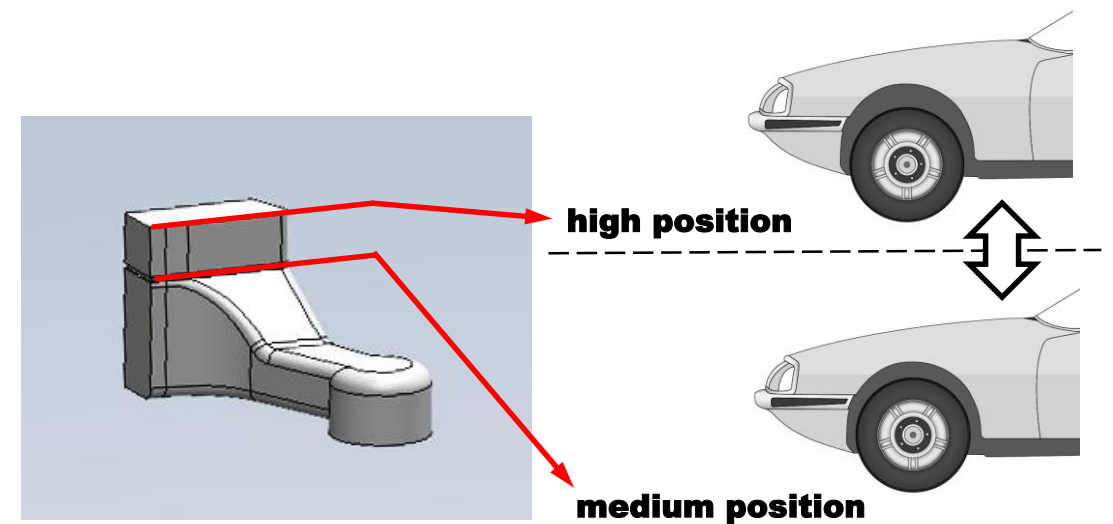
1. Chassis painting



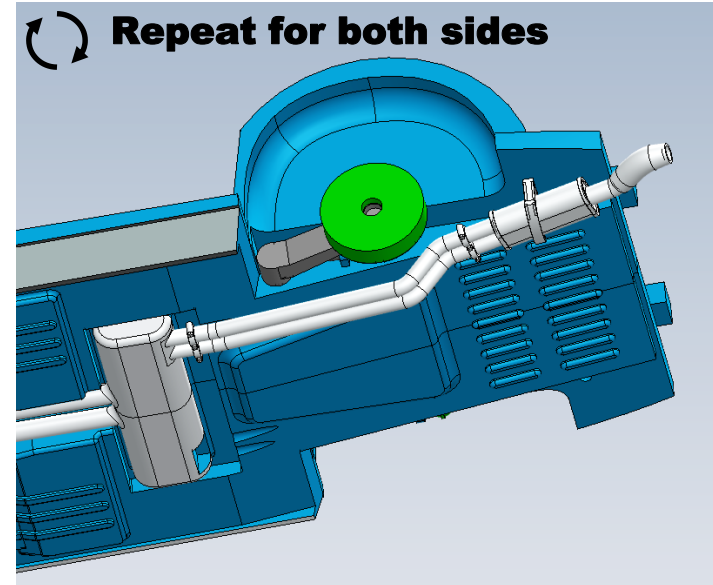
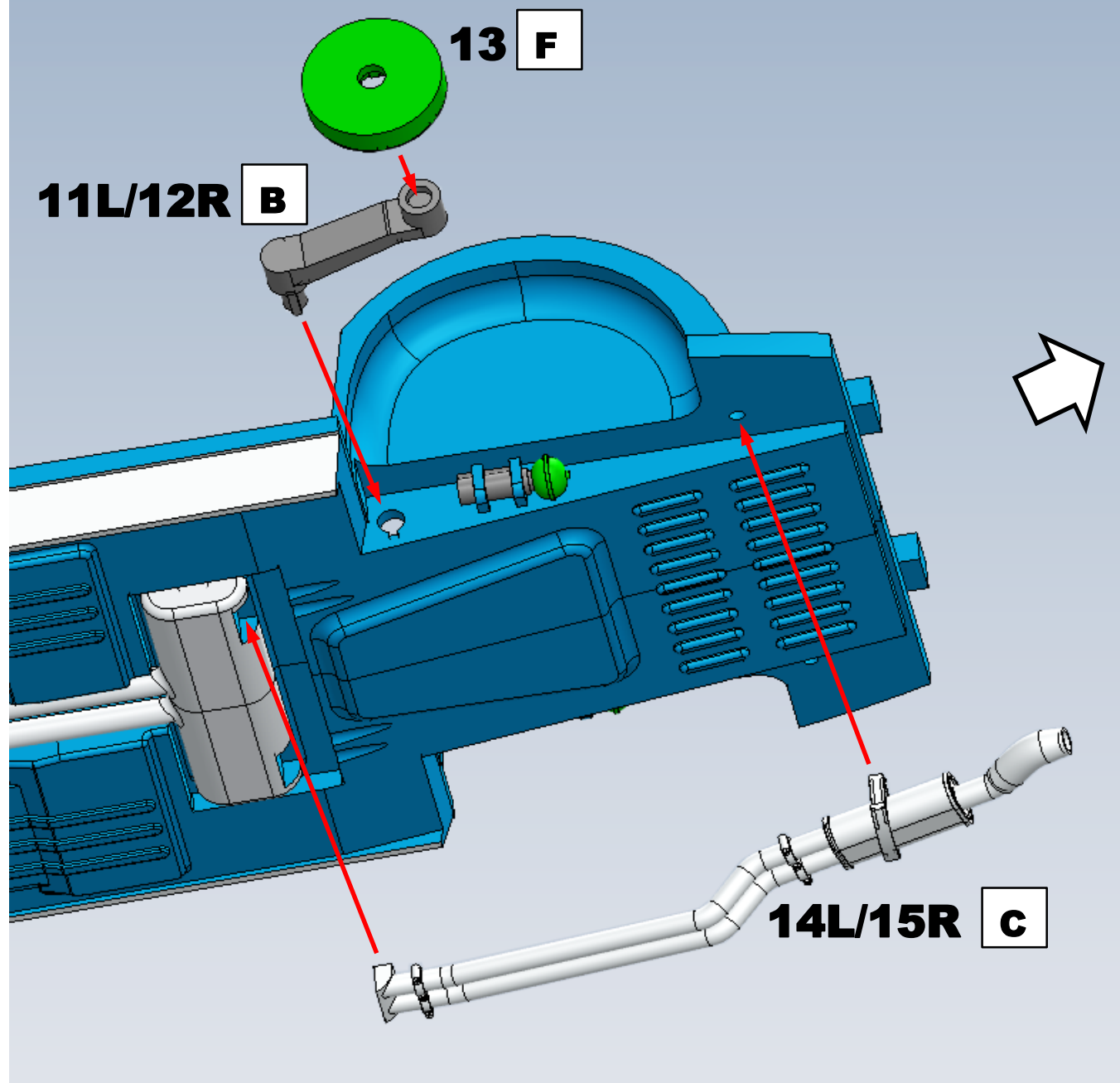
2. Front suspension



**Parts 3/4 allow you to choose the height of the suspension.
Cut it over the line to get medium suspension position, or use it as it is to get high position.**



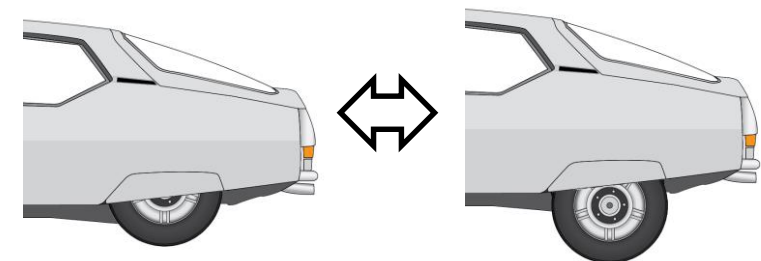
3. Rear suspension, exhaust



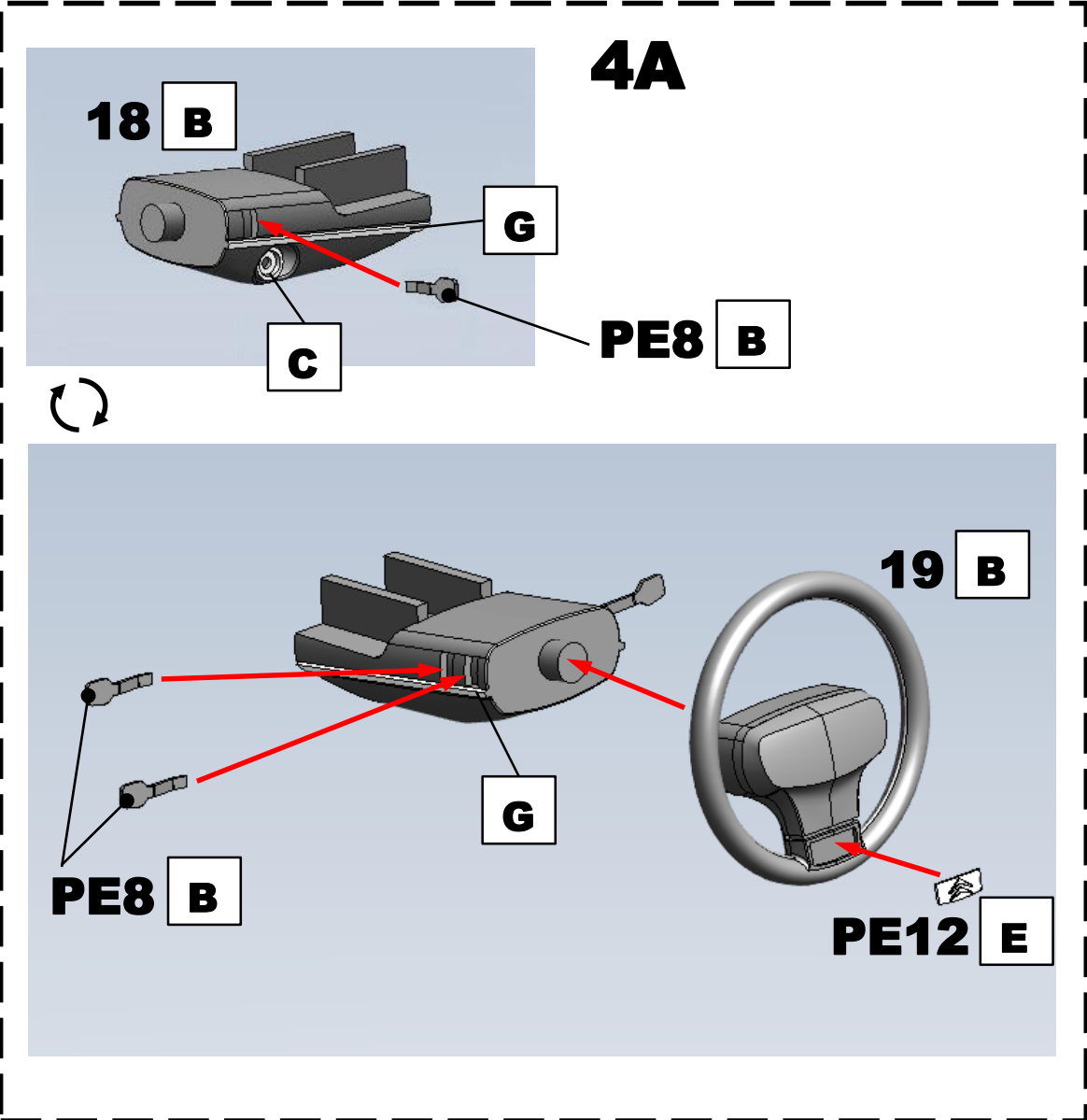
Parts 11/12 allow you to choose the height of the suspension.



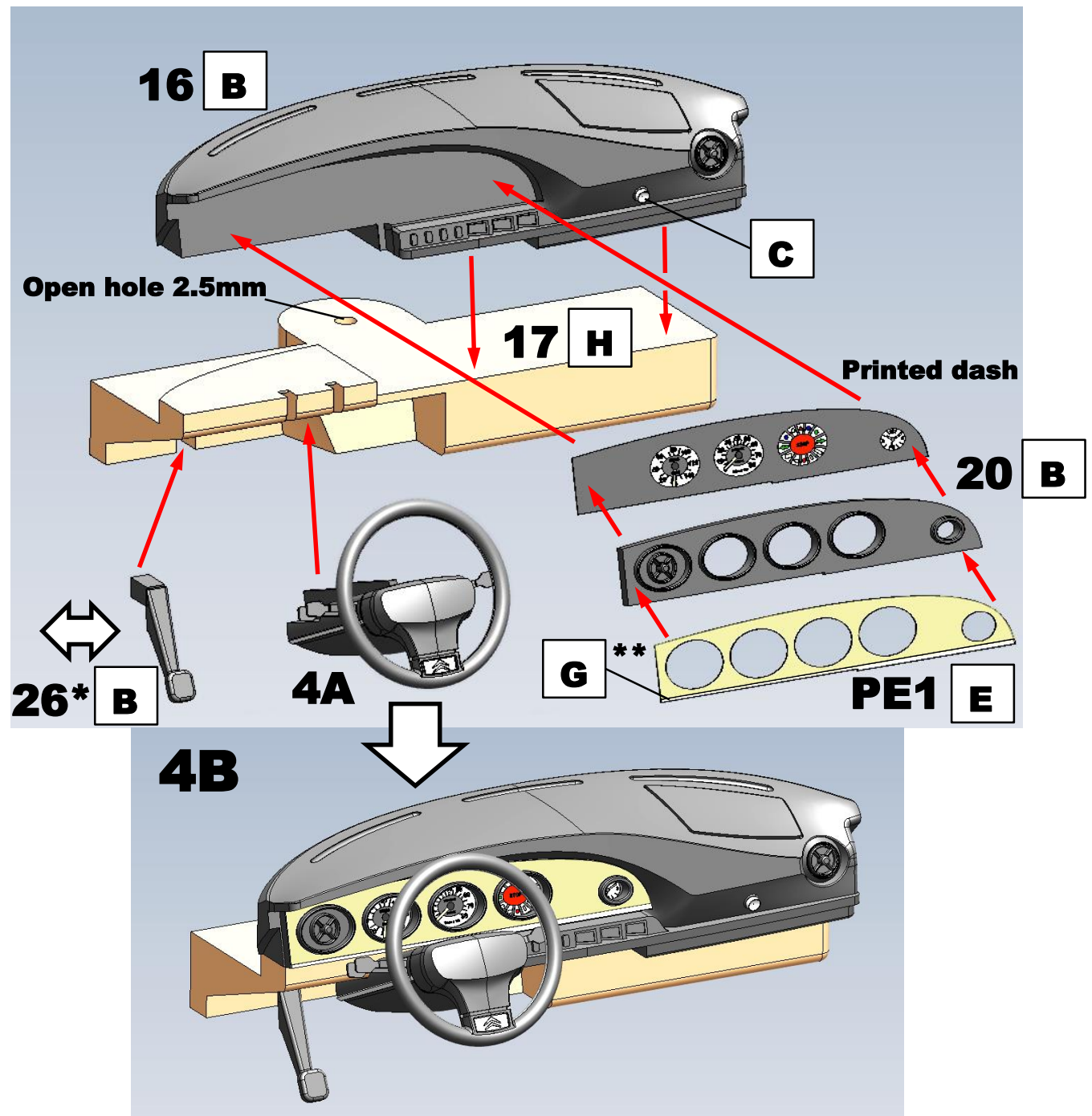
Cut the pin, and you can adjust the height, turning part around its axis.



4. Dashboard

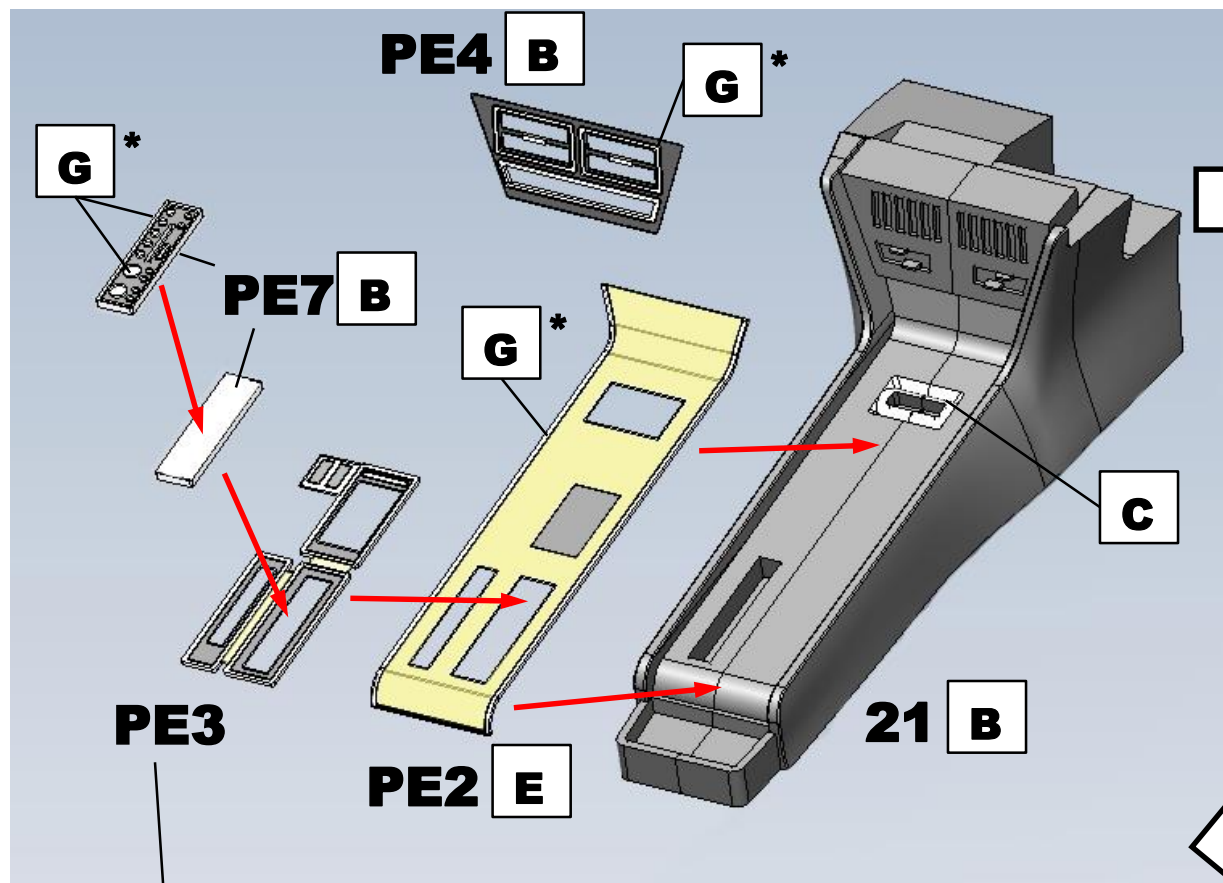


* clutch pedal – not used in car with automatic transmission

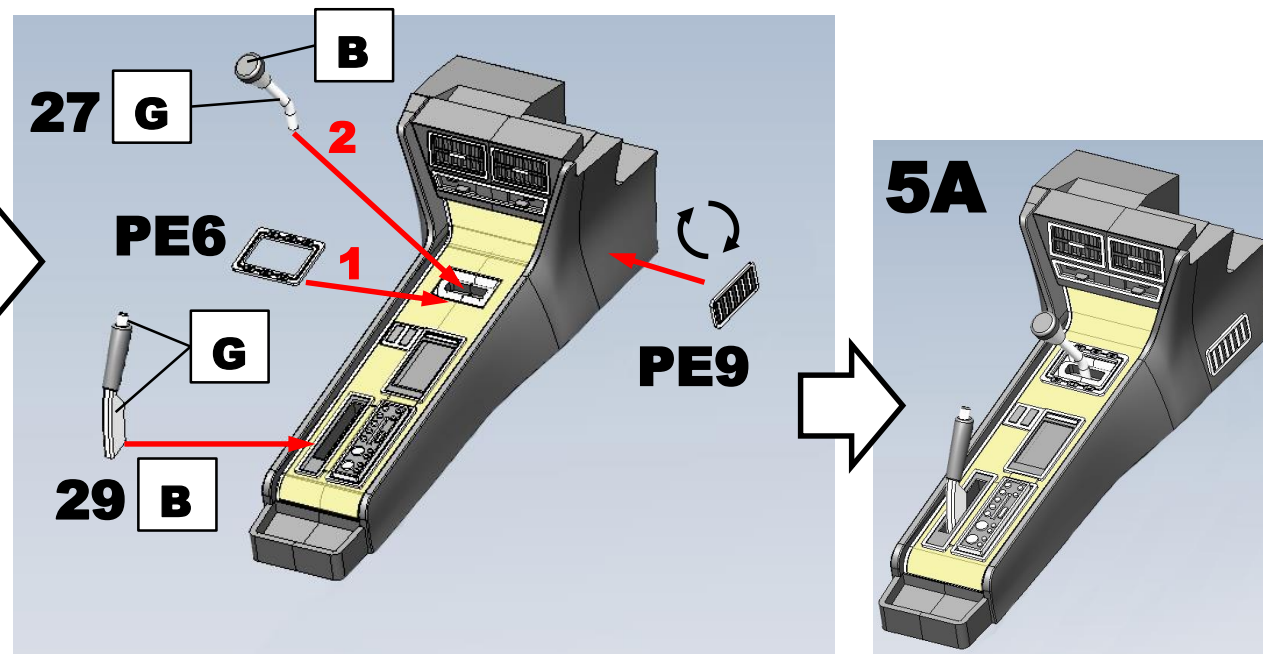


** Paint thin line silver or peel it to natural metal color.

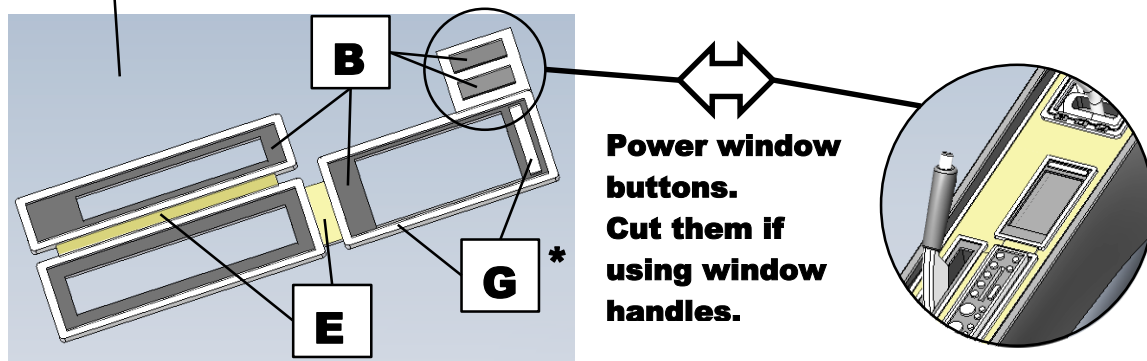
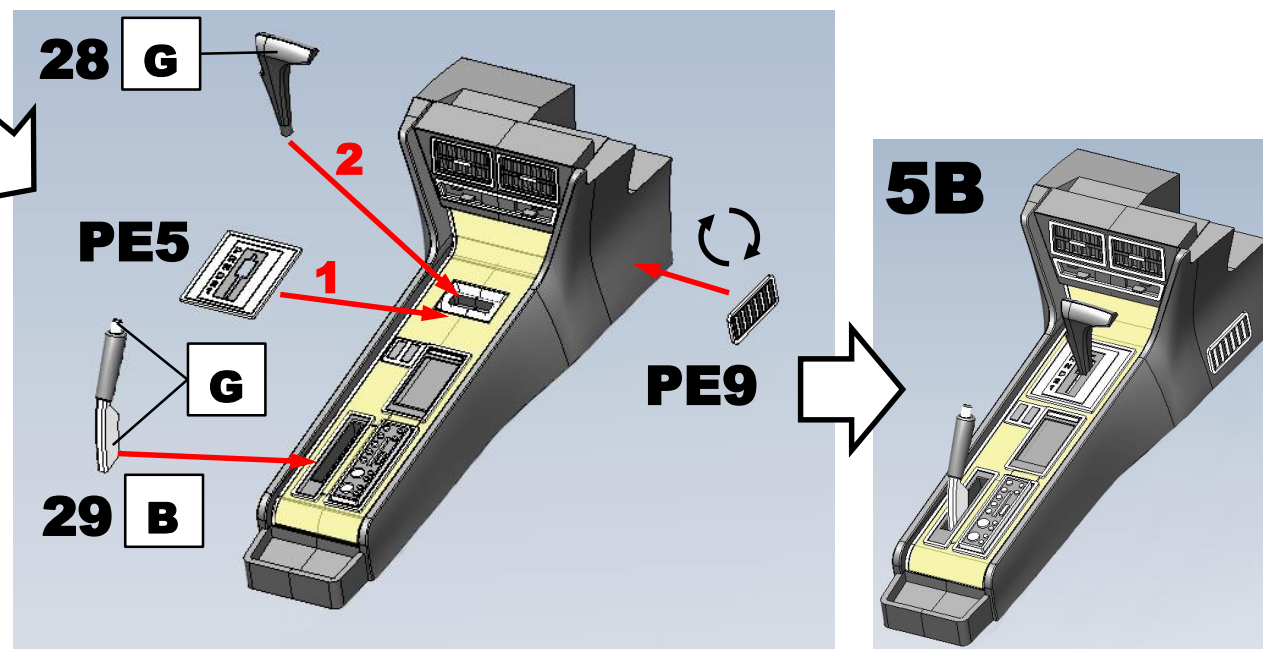
5. Central console



Manual transmission

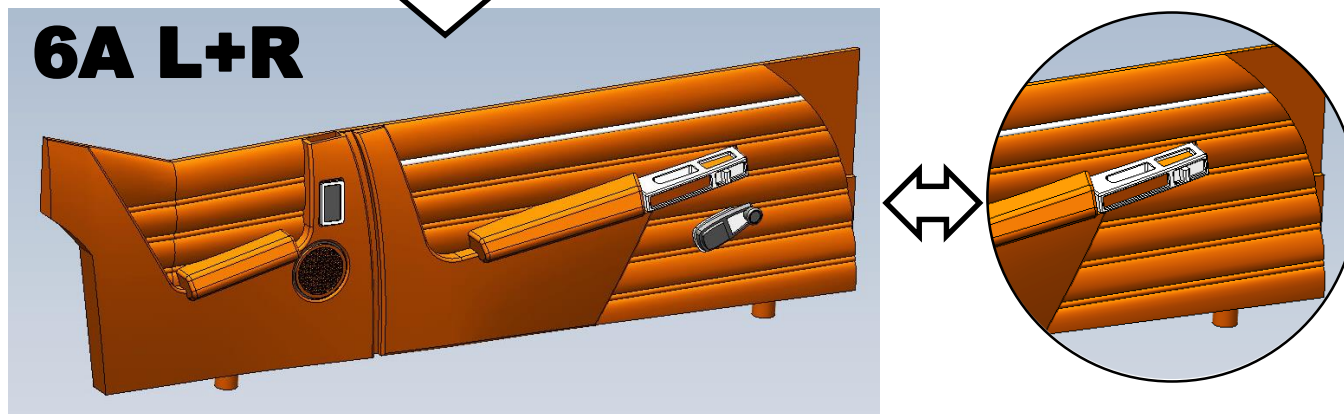
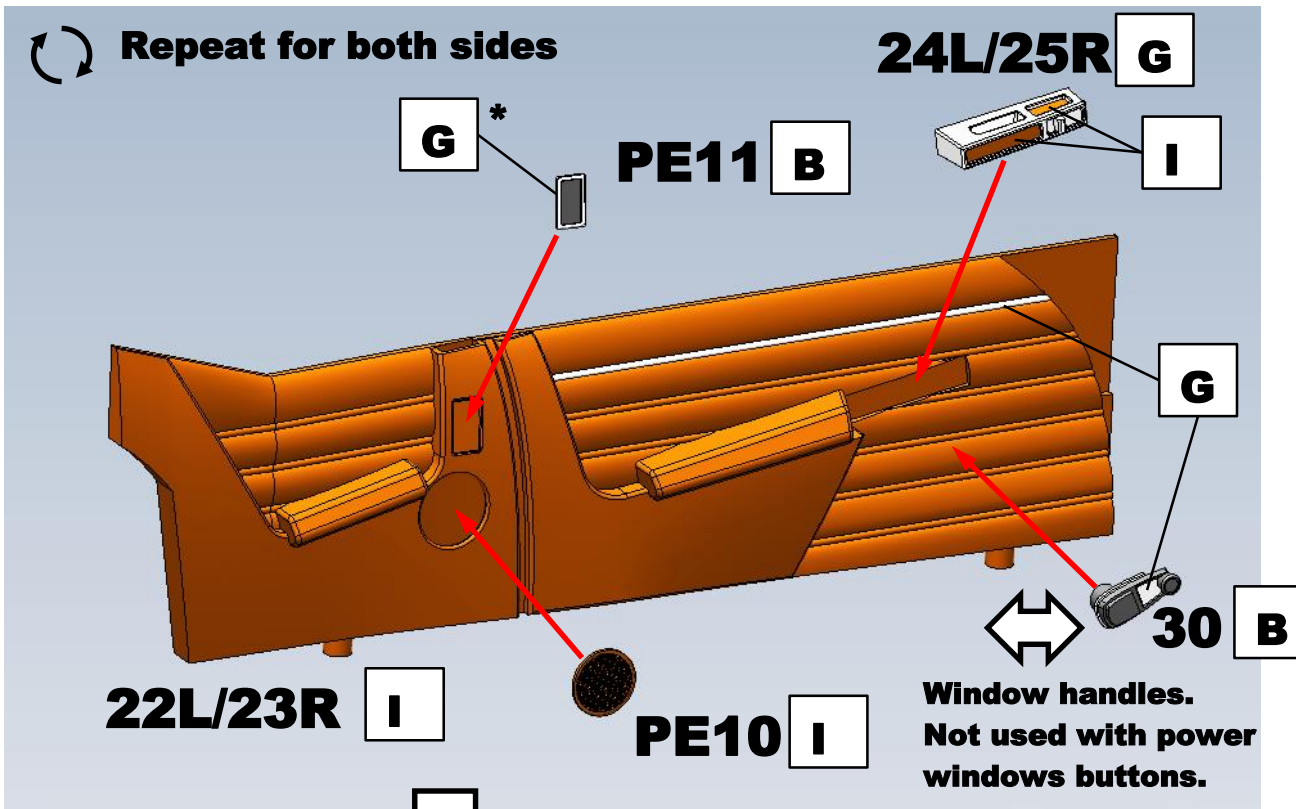


Automatic transmission

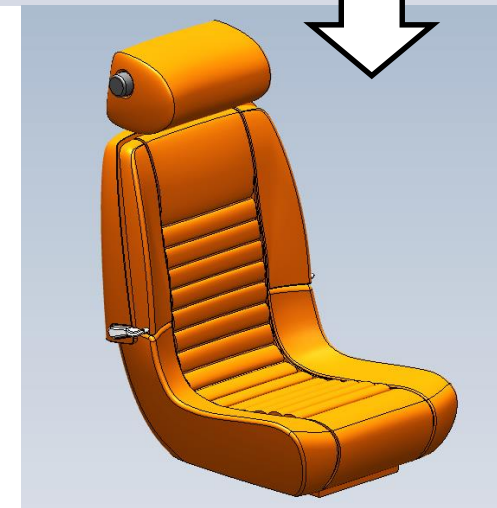
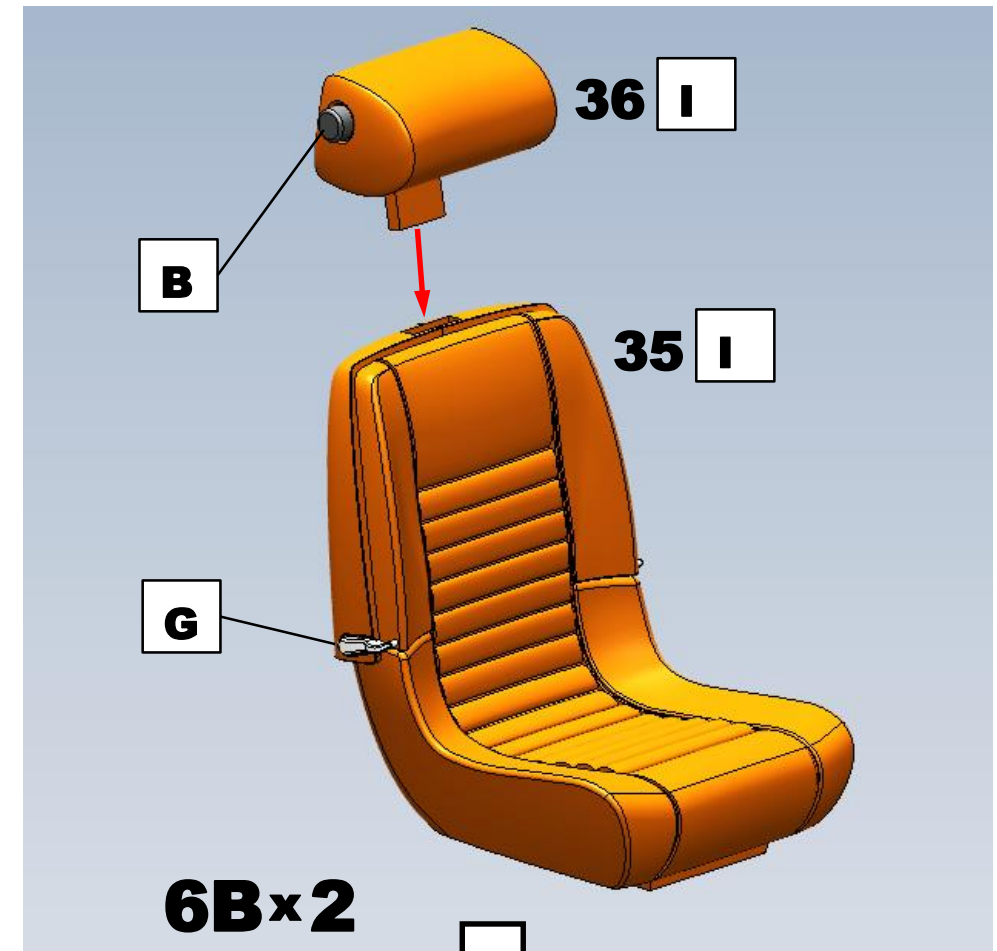


*** Paint thin line silver or peel it to natural metal color.**

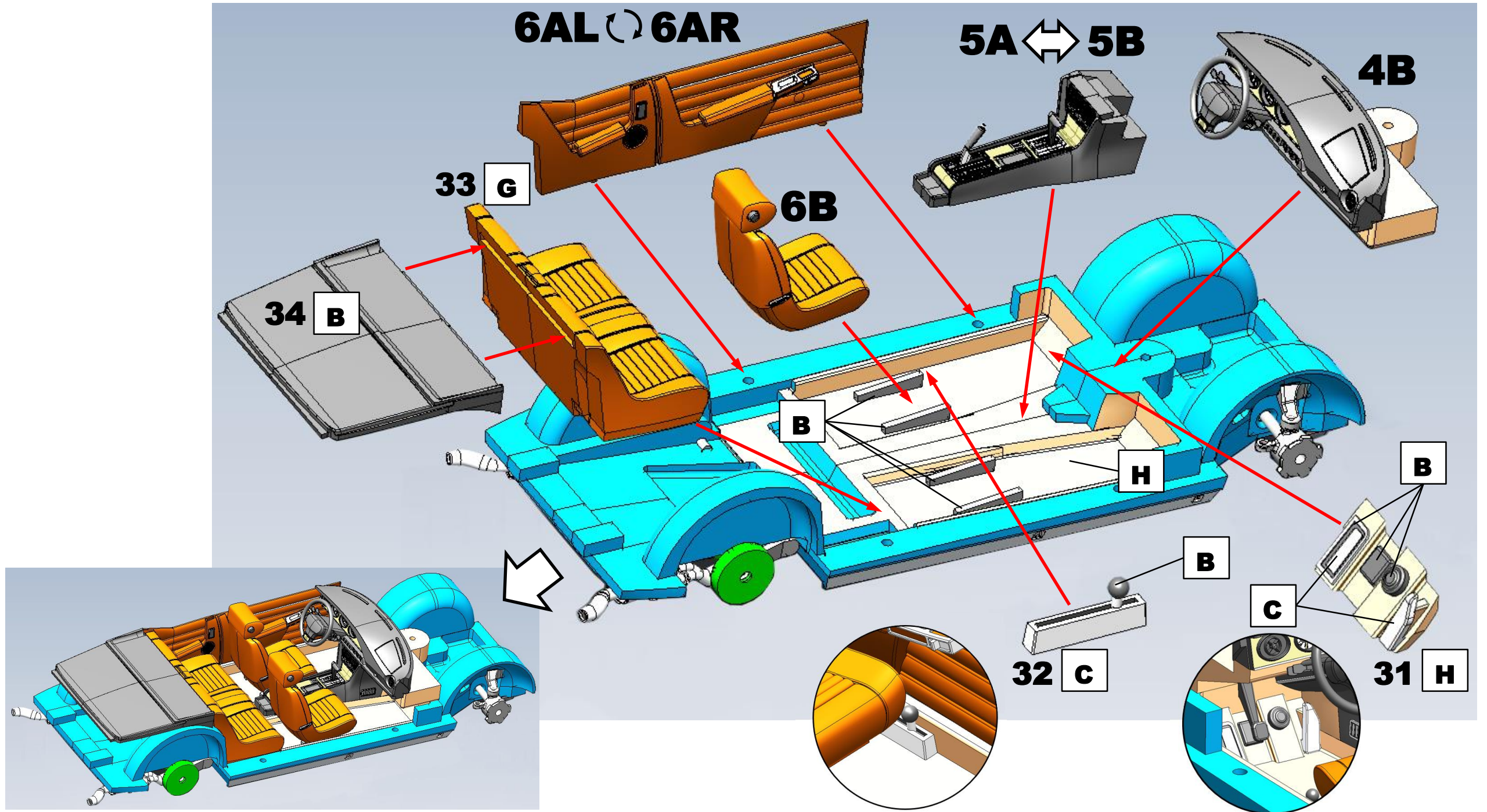
6. Door panels, seats



* Paint thin line silver or peel it to natural metal color.

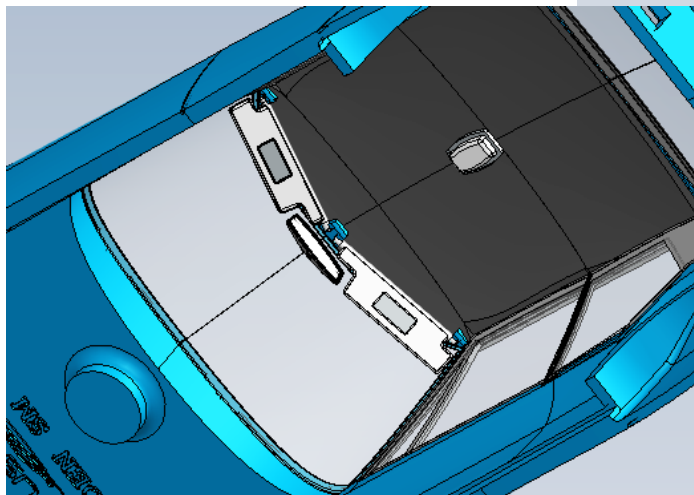
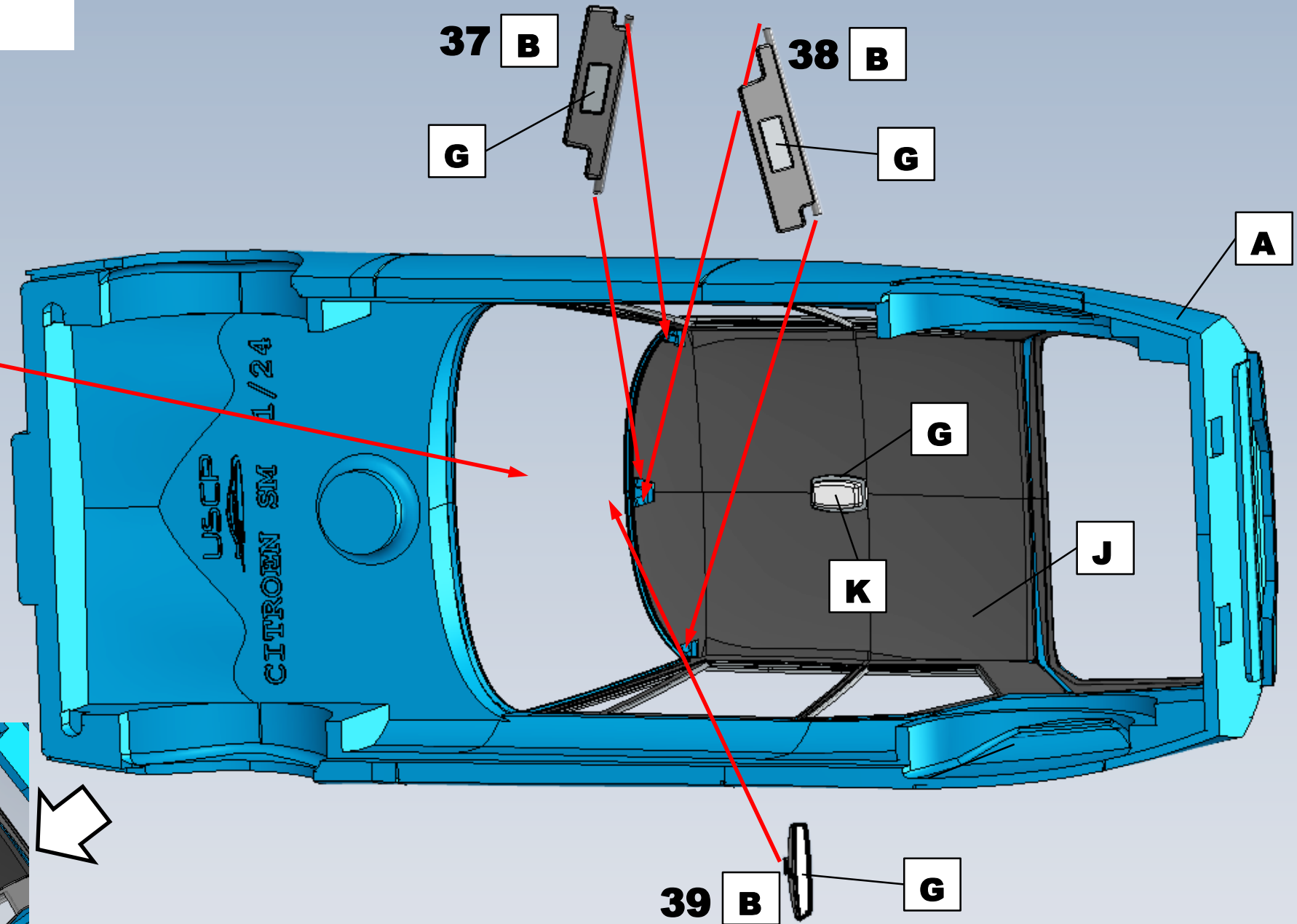


7. Interior assembly

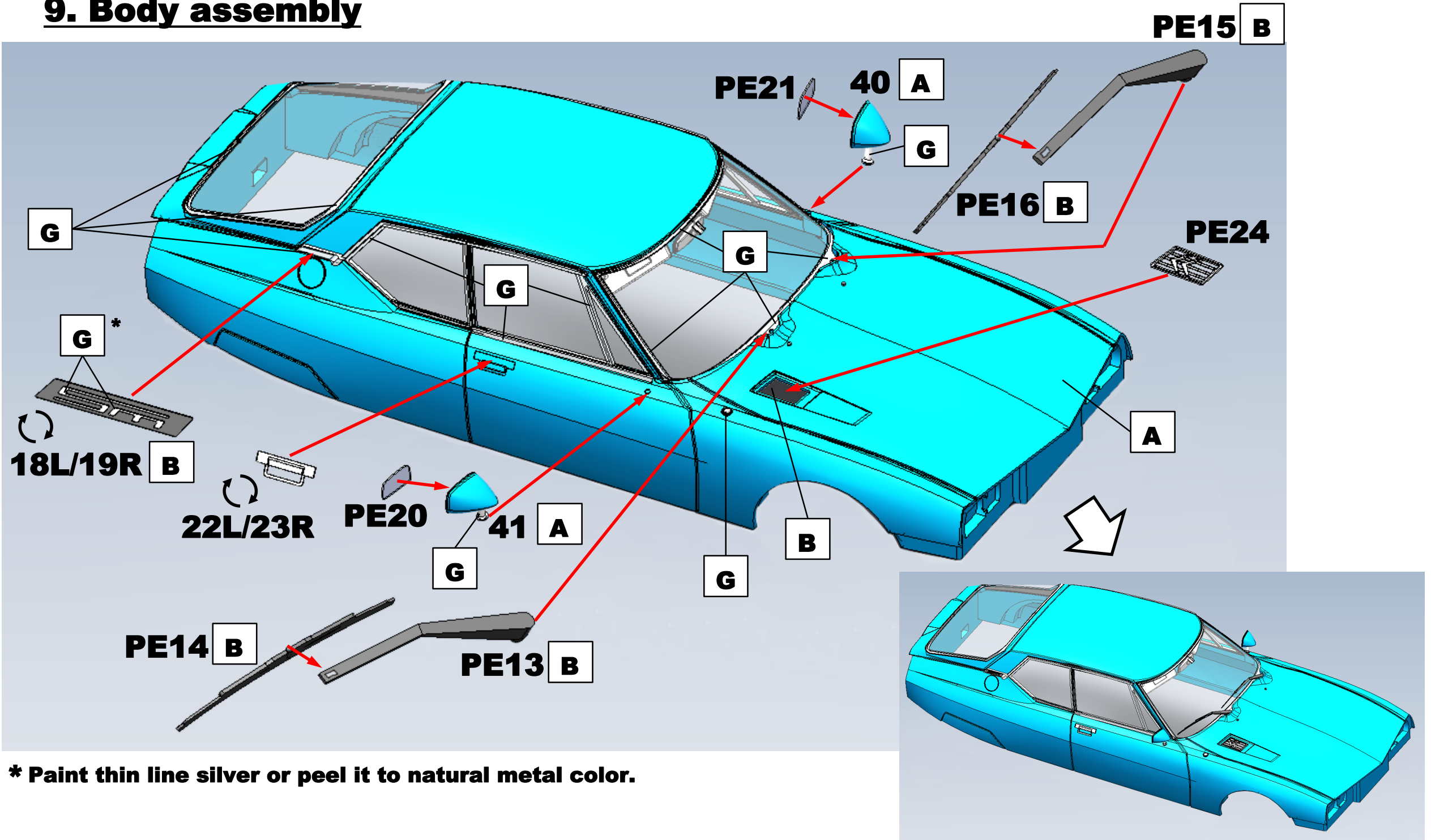


8. Body assembly

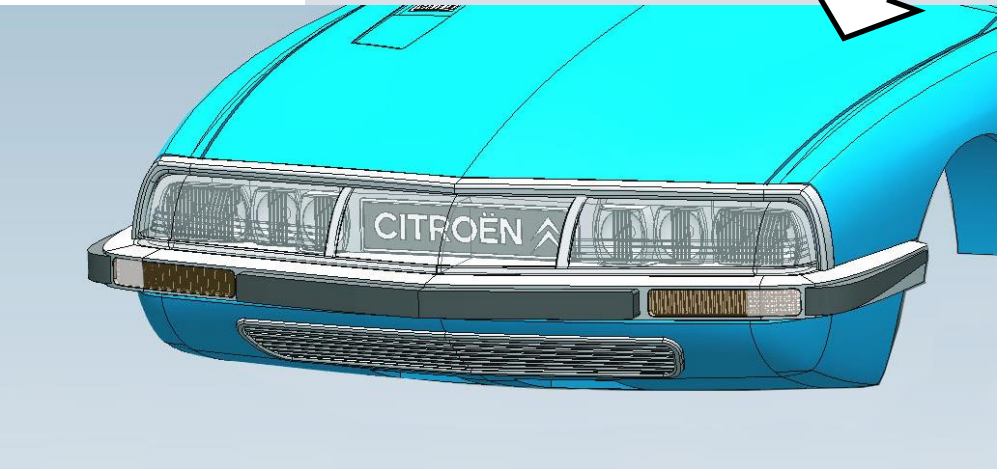
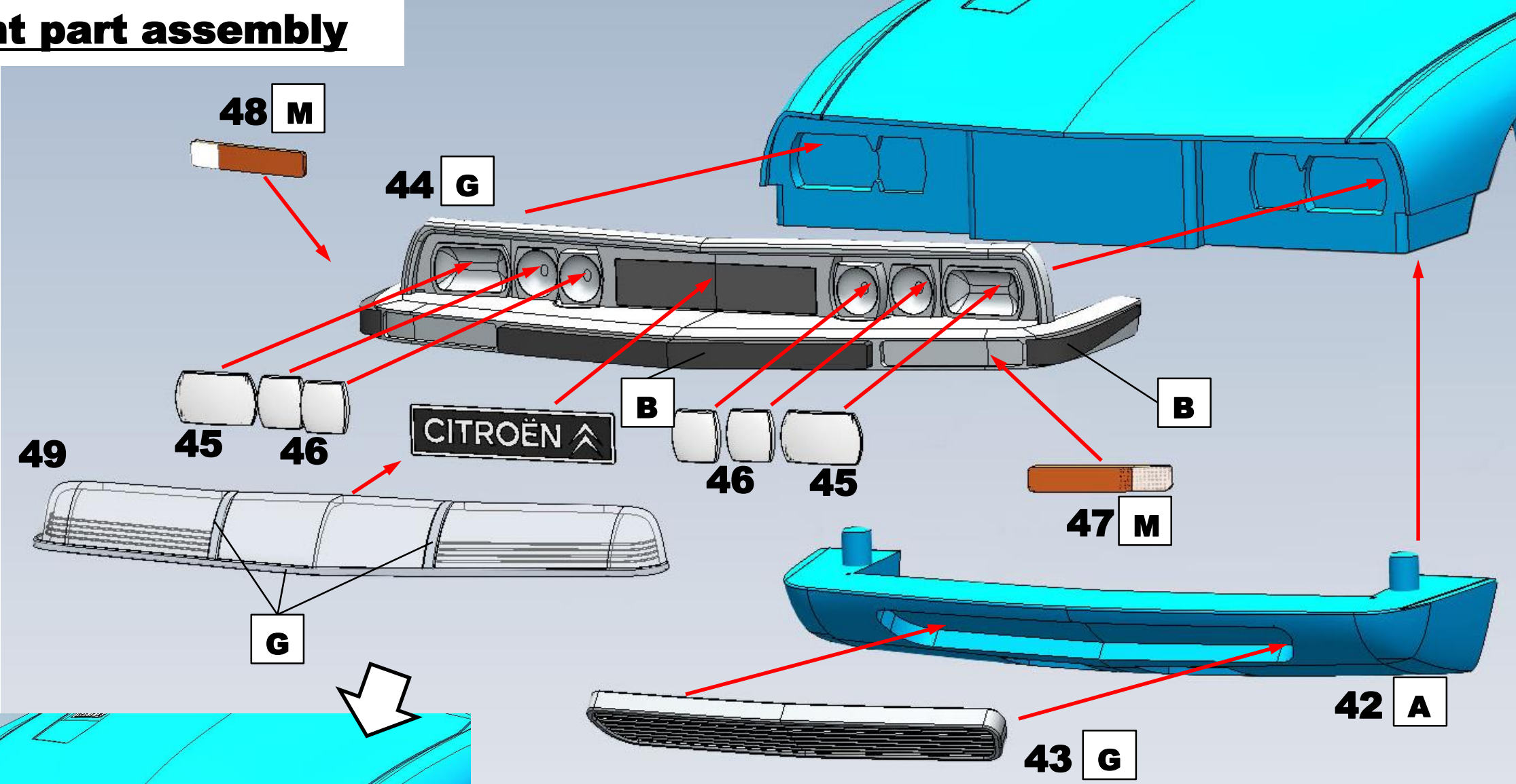
Cut vacuum formed windows and glue them from inside of body



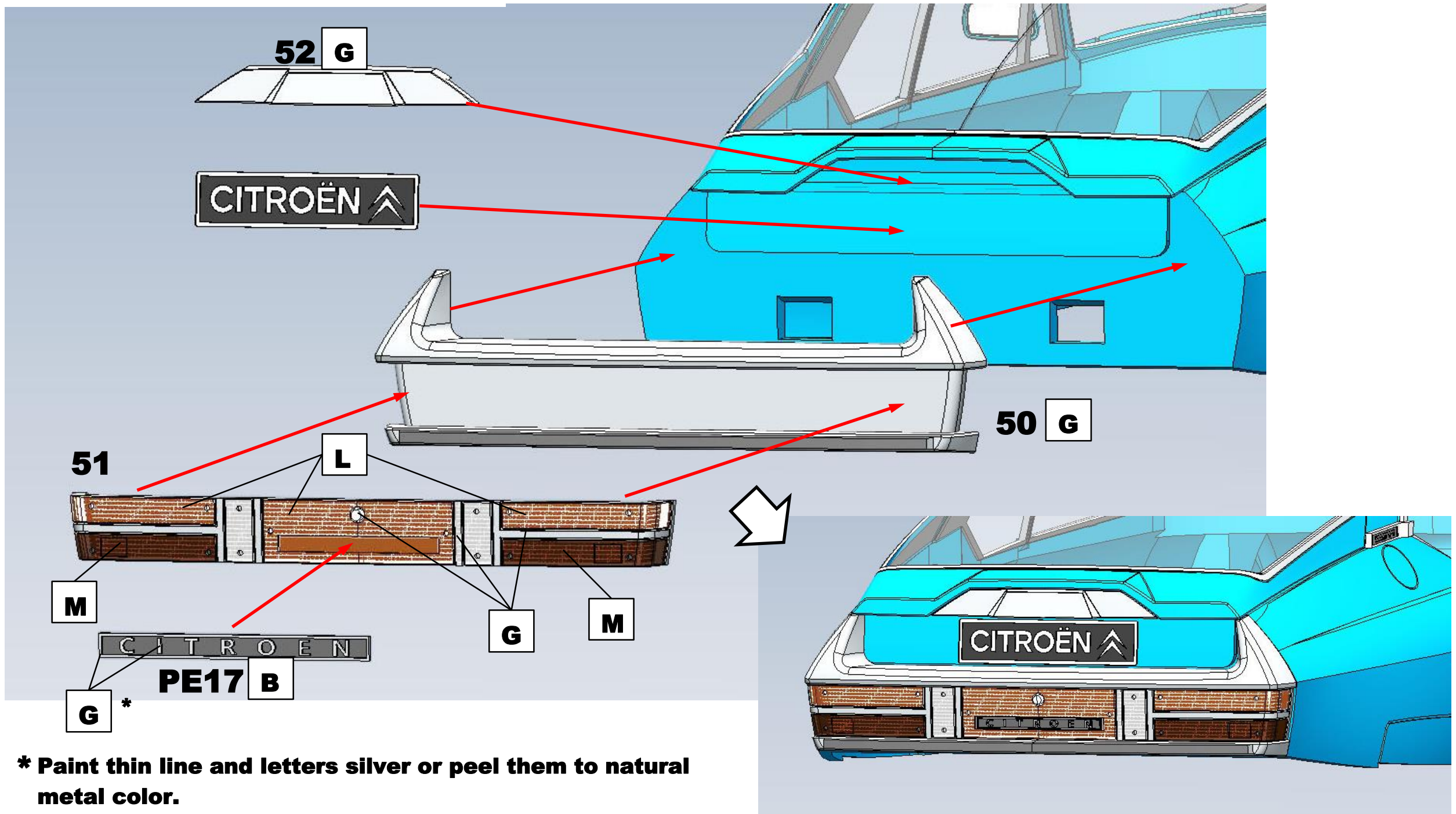
9. Body assembly



10. Front part assembly



11. Rear part assembly



12. Final assembly

